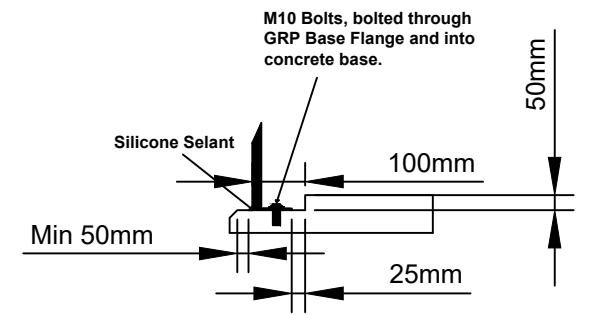
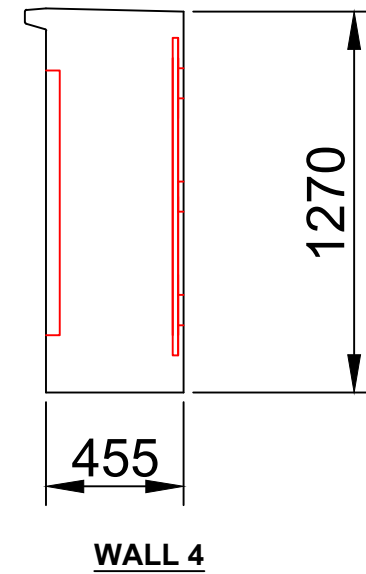
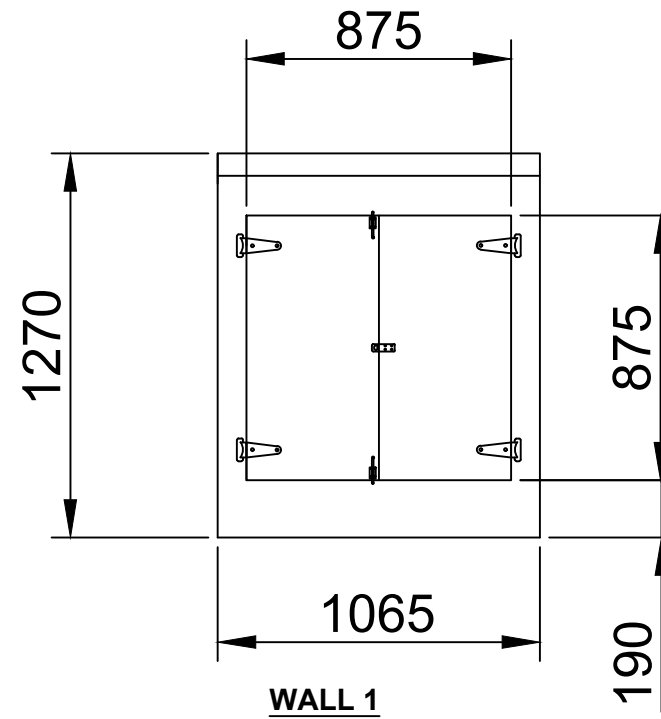
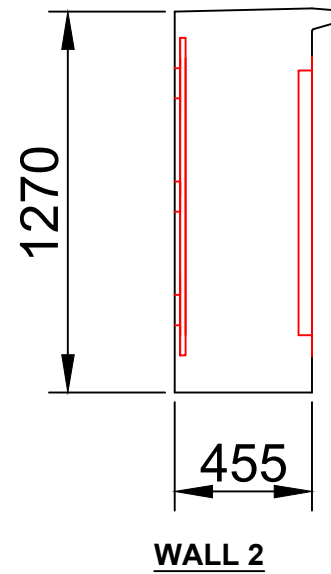


Typical Stepped Concrete Base Detail (Recommended)



NOTES:

- DOUBLE DOOR:**
 1no. 875mm Wide x 875mm High
 4no. Stainless Steel Hinges
 2no. Stainless Steel Spring Tower Bolts
 1no. Cylinder Night Latch Lock or Hasp & Staple



Company		External Finish: Semi Gloss		Internal Color: White		External Color: T.B.C.	
Contact		Fire Resistance: BS476 Part 22- 1/2 hr.		Base Flange: 100mm GRP Base Flange		Roof Construction: GRP	
Order # -		Doors: 1no. Double Door 875mm x 875mm (H)		Ventilation:		Wall Construction: GRP	
DWG #	DT1	Rev	Date	10/11/15	Scale	N/A	