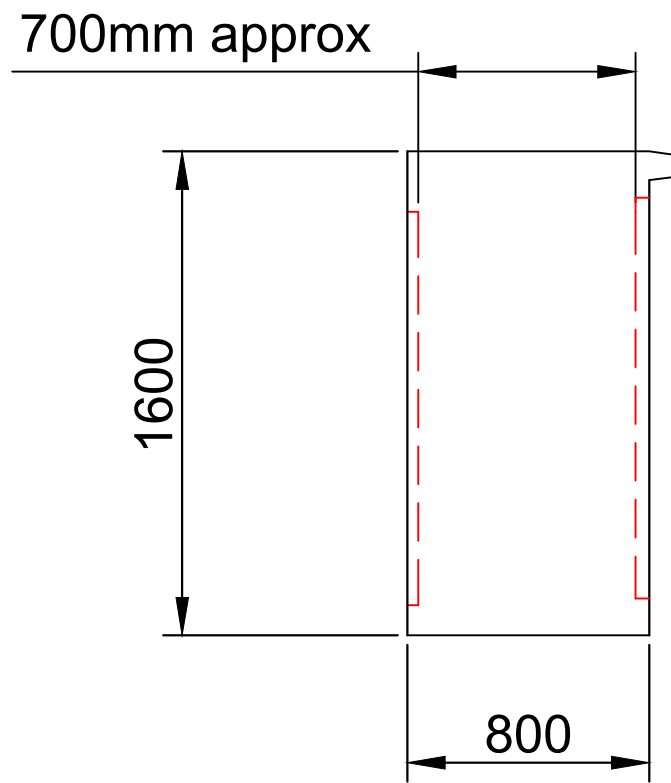


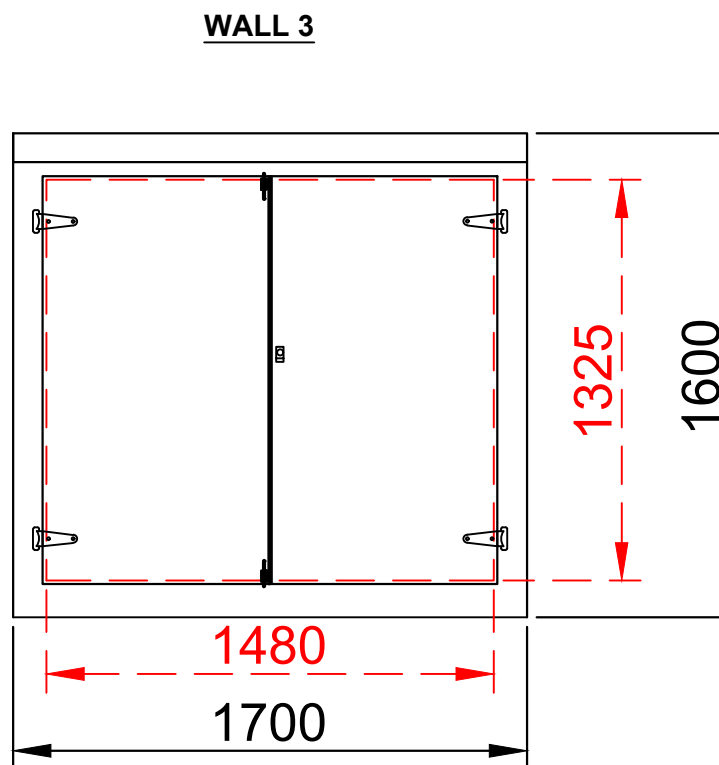
NOTES:

DOUBLE DOOR:

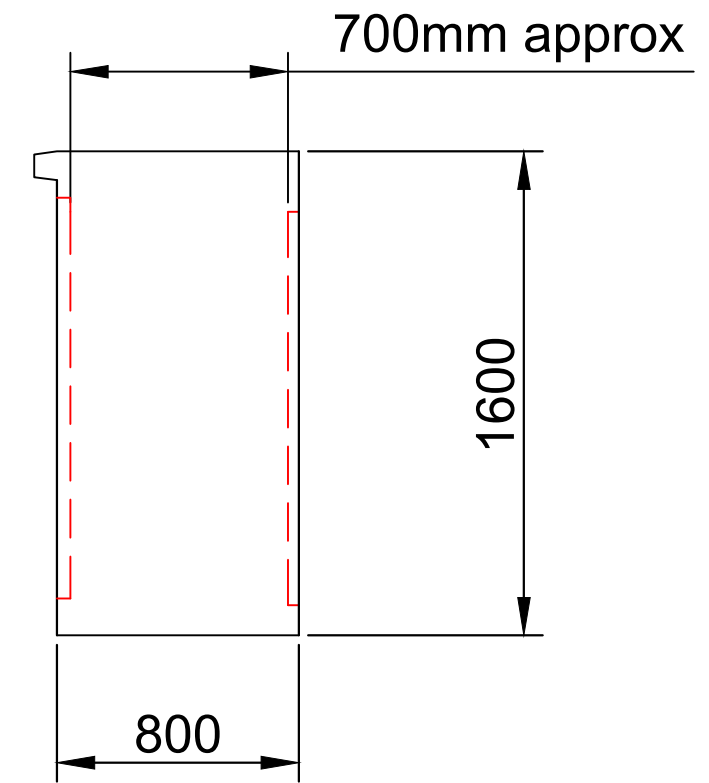
- 1no. 1480mm Wide x 1325mm High
- 4no. Stainless Steel Hinges
- 2no. Stainless Steel Spring Tower Bolts
- 1no. Cylinder Night Latch Lock or Hasp & Staple



WALL 2



WALL 1



WALL 4

Company		External Finish: Semi Gloss		Internal Color: White		External Color: T.B.C.	
Contact		Andrew Jones		Base Flange: 100mm GRP Base Flange		Roof Construction: GRP	
Order #		-		Fire Resistance: BS476 Part 22- 1/2 hr.		Wall Construction: GRP/	
DWG #	DT4	Rev		Date	19/02/16	Scale	N/A
		Doors: 1no. Double Door 1730mm x 1300mm (H)		Ventilation:			