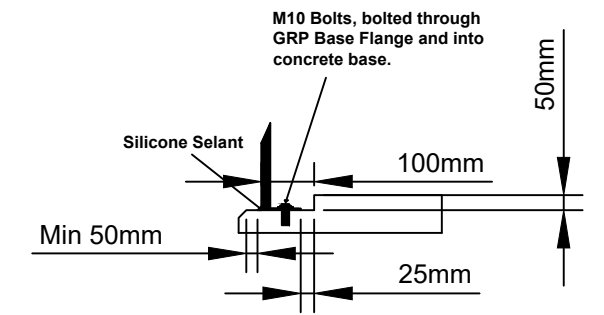


Typical Stepped Concrete Base Detail (Recommended)

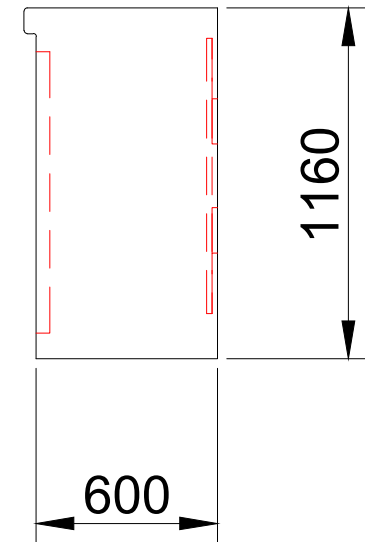
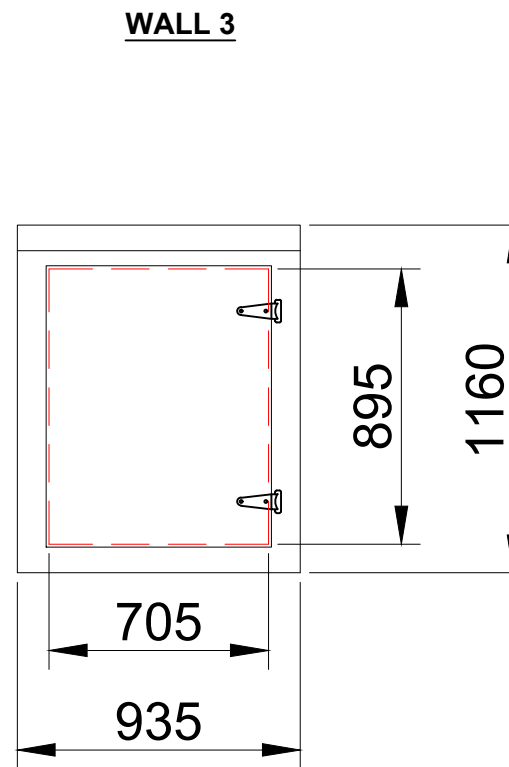
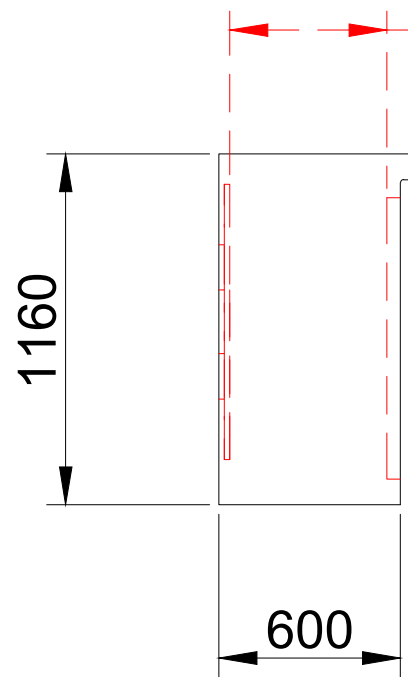


NOTES:

SINGLE DOOR:

- 1no. 705mm Wide x 895mm High
- 2no. Stainless Steel Hinges
- 1no. Cylinder Night Latch Lock or Hasp & Staple

500mm approx clear internal



WALL 2

WALL 1

WALL 4

Company		External Finish: Semi Gloss	Internal Color: White	External Color: T.B.C.
Contact		Fire Resistance: BS476 Part 22- 1/2 hr.	Base Flange:	Roof Construction: GRP
Order #	-	Doors: 1no. Single Door 705mm x 895mm (H)	Ventilation:	Wall Construction: GRP
DWG #	ST9	Rev	Date	10/11/15
		Scale	N/A	