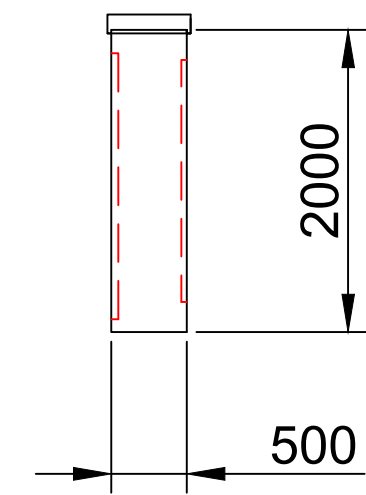
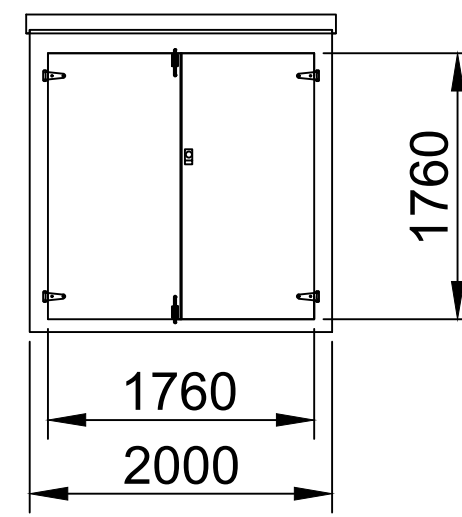
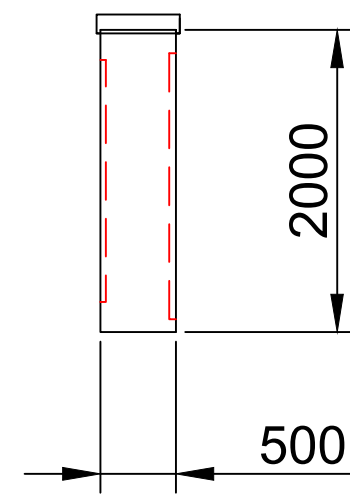


NOTES:

DOUBLE DOOR:
 1no. 1760mm Wide x 1760mm High Clear Opening
 4no. Stainless Steel Hinges
 2no. Stainless Steel Spring Tower Bolts
 1no. Cylinder Night Latch Lock or Hasp & Staple

OPTIONAL EXTRAS

SINGLE SKIN FLOOR
 LOAD BEARING FLOOR
 CAT FLAP
 ELECTRICS
 VENTS



Company		External Finish: SEMI GLOSS	Internal Color: White	External Color: T.B.C
Contact	Andrew Jones	Fire Resistance: BS476 Part 22- 1/2 hr.	Base Flange: 100mm GRP Base Flange	Roof Construction: GRP
Order #	-	Doors: 1no. Double Door 1760mm x 1760mm (H)	Ventilation:	Wall Construction: GRP
DWG #	WT1	Rev	Date	Scale
			27/07/20	N/A