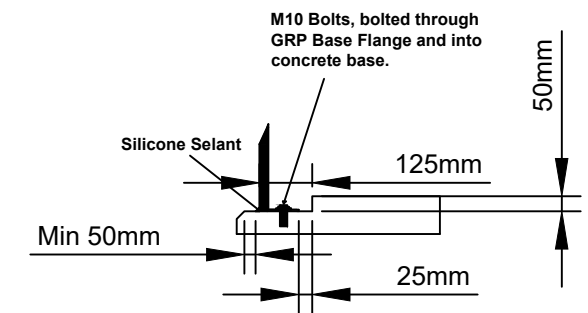


**Typical Stepped Concrete Base Detail (Recommended)**



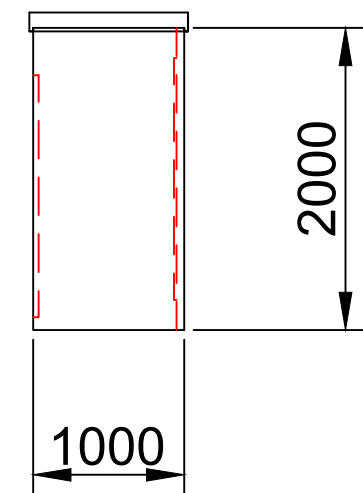
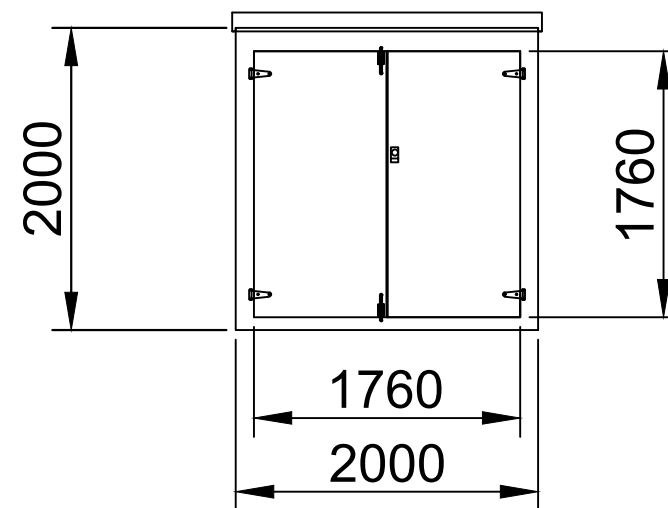
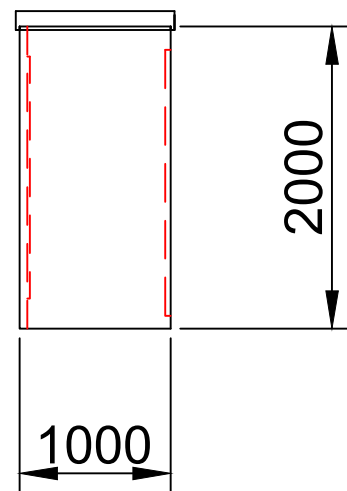
**NOTES:**

**DOUBLE DOOR:**

- 1no. 1760mm Wide x 1760mm High Clear Opening
- 4no. Stainless Steel Hinges
- 2no. Stainless Steel Spring Tower Bolts
- 1no. Cylinder Night Latch Lock or Hasp & Staple

**OPTIONAL EXTRAS**

- SINGLE SKIN FLOOR
- LOAD BEARING FLOOR
- CAT FLAP
- ELECTRICS
- VENTS



**External Elevation WALL 2**

**External Elevation WALL 1**

**External Elevation WALL 4**

Company		External Finish: SEMI GLOSS		Internal Color: White		External Color: T.B.C.	
Contact		Andrew Jones		Fire Resistance: BS476 Part 22- 1/2 hr.		Base Flange: 100mm GRP Base Flange	
Order #		-		Roof Construction: GRP		Wall Construction: GRP	
DWG #	WT2	Rev		Date	27/07/20	Scale	N/A
Doors: 1no. Double Door 1760mm x 1760mm (H)				Ventilation:			