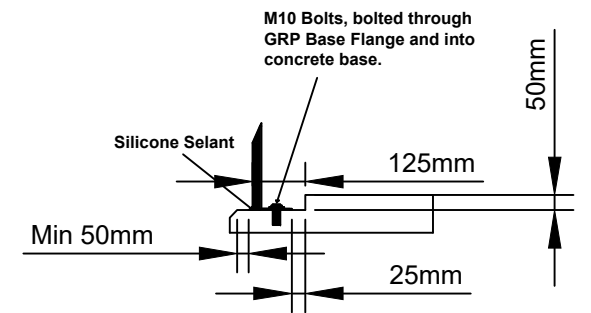


**Typical Stepped Concrete Base Detail (Recommended)**

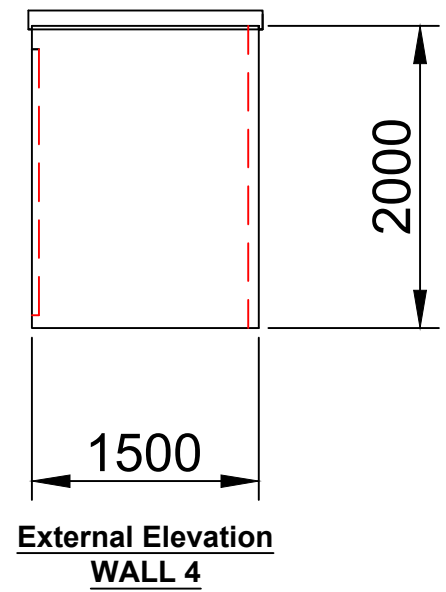


**NOTES:**

- DOUBLE DOOR:**
- 1no. 1760mm Wide x 1760mm High Clear Opening
  - 4no. Stainless Steel Hinges
  - 2no. Stainless Steel Spring Tower Bolts
  - 1no. Cylinder Night Latch Lock or Hasp & Staple

**OPTIONAL EXTRAS**

- SINGLE SKIN FLOOR
- LOAD BEARING FLOOR
- CAT FLAP
- ELECTRICS
- VENTS



Company		External Finish: SEMI GLOSS		Internal Color: White		External Color: T.B.C.	
Contact		Fire Resistance: BS476 Part 22- 1/2 hr.		Base Flange: 100mm GRP Base Flange		Roof Construction: GRP	
Order #		Doors: 1no. Double Door 1760mm x 1760mm (H)		Ventilation:		Wall Construction: GRP	
DWG #	WT3	Rev	Date	27/07/20	Scale	N/A	