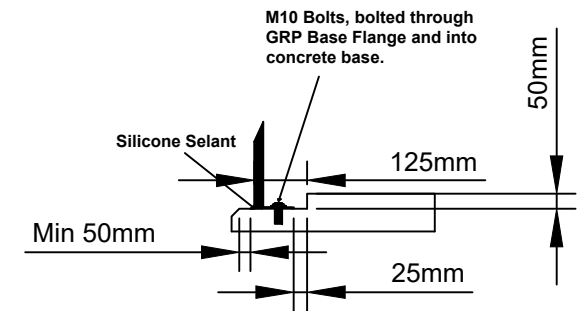


Typical Stepped Concrete Base Detail (Recommended)



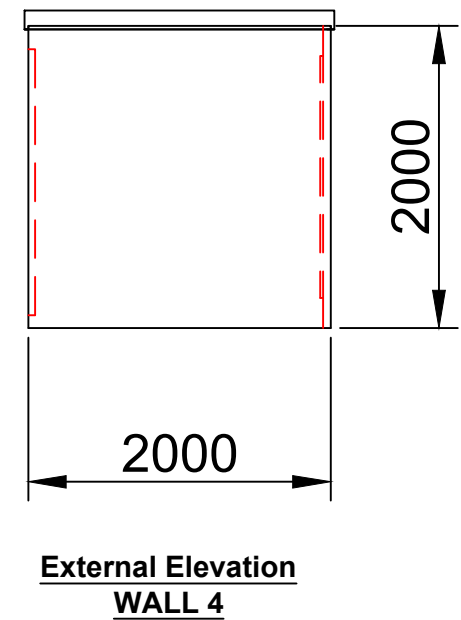
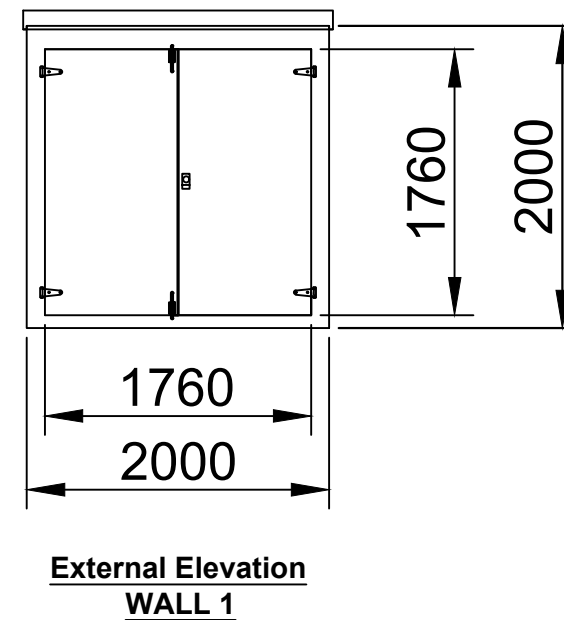
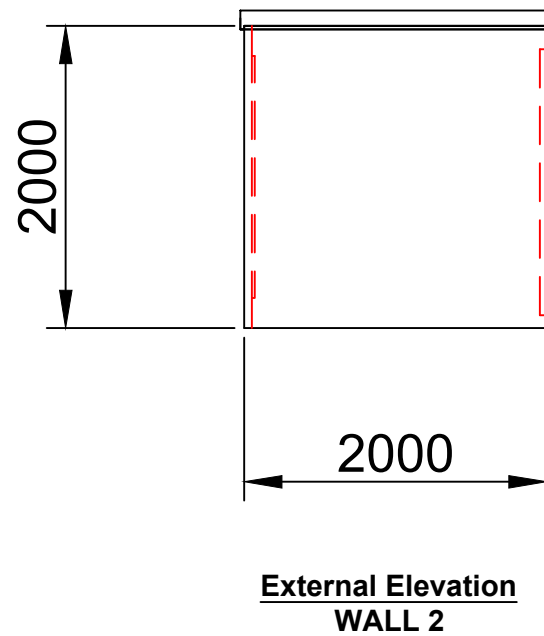
NOTES:

DOUBLE DOOR:

- 1no. 1760mm Wide x 1760mm High Clear Opening
- 4no. Stainless Steel Hinges
- 2no. Stainless Steel Spring Tower Bolts
- 1no. Cylinder Night Latch Lock or Hasp & Staple

OPTIONAL EXTRAS

- SINGLE SKIN FLOOR
- LOAD BEARING FLOOR
- CAT FLAP
- ELECTRICS
- VENTS



Company		External Finish: SEMI GLOSS		Internal Color: White		External Color: T.B.C.	
Contact		Andrew Jones		Fire Resistance: BS476 Part 22- 1/2 hr.		Base Flange: 100mm GRP Base Flange	
Order #		-		Doors: 1no. Double Door 1760mm x 1760mm (H)		Roof Construction: GRP	
DWG #	WT4	Rev		Date	27/07/20	Scale	N/A
				Ventilation:		Wall Construction: GRP	