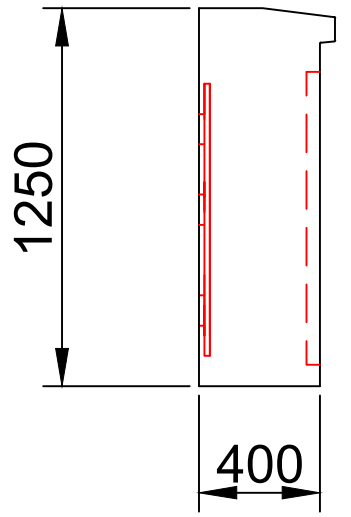


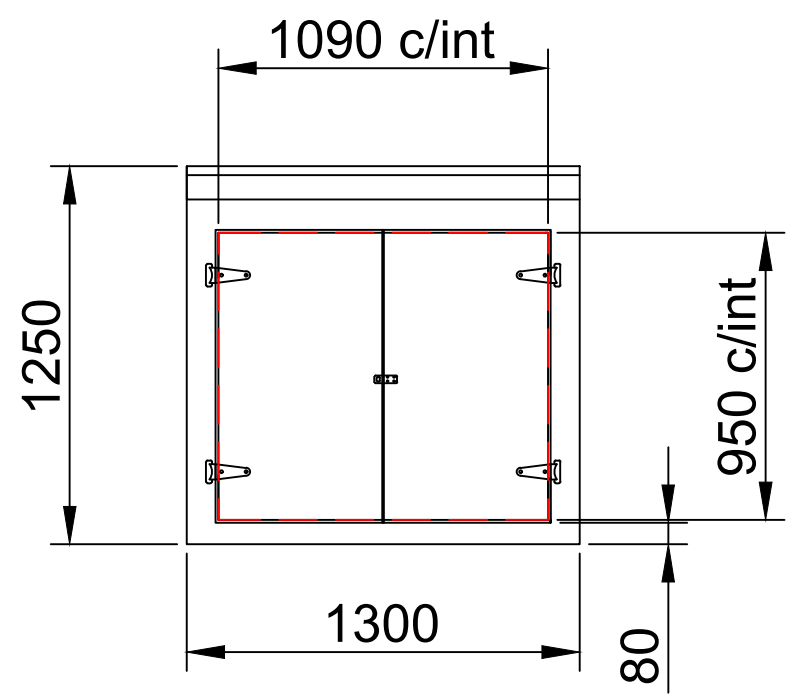
NOTES:

DOUBLE DOOR:
 1no. 1090mm Wide x 950mm High
 4no. Stainless Steel Hinges
 2no. Stainless Steel Spring Tower Bolts
 1no. Cylinder Night Latch Lock or Hasp & Staple

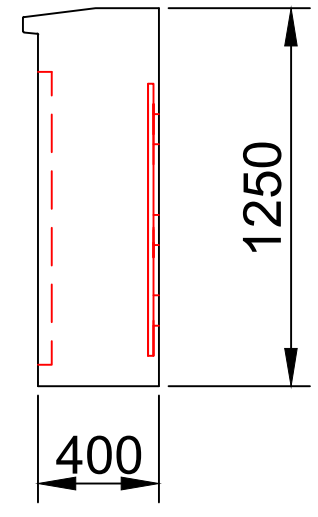
Base
 Enclosure has a full GRP base
 A flange can be cut if required



External Elevation
WALL 2



External Elevation
WALL 1



External Elevation
WALL 4

Company		External Finish: Semi Gloss	Internal Color: White	External Color: T.B.C.
Contact	Andrew Jones	Fire Resistance: BS476 Part 22- 1/2 hr.	Base Flange: 100mm GRP Base Flange	Roof Construction: GRP
Order #	-	Doors: 1no. Double Door 1090mm x 950mm (H)	Ventilation:	Wall Construction: GRP
DWG #	DT2	Rev	Date	19/06/20
		Scale	N/A	